

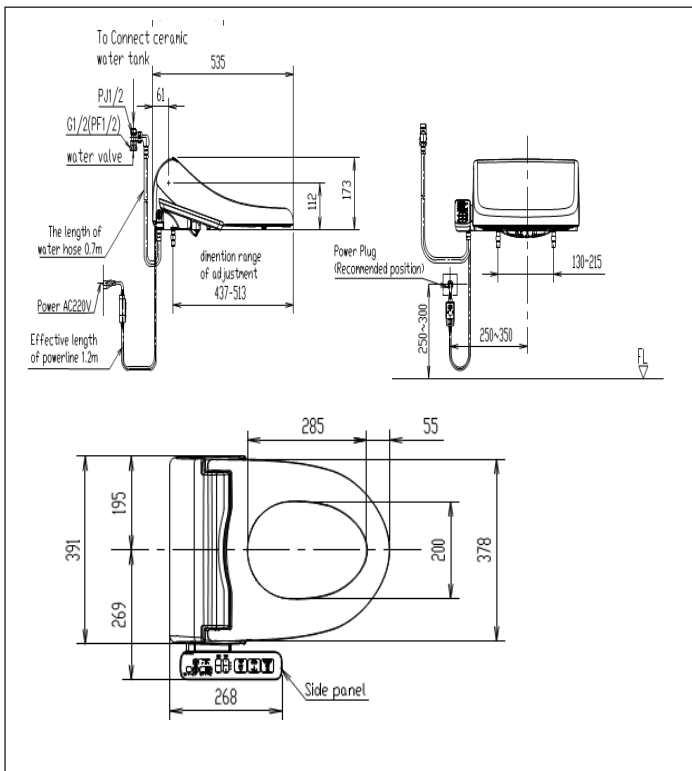
Pristine

E-bidet (long size)

CEAS7SL1/ CEAS7SL2/ CEAS7SL3



DIMENSIONAL DRAWING



FEATURES

- Hot water storage type (water tank 0.7L)
- Self-cleaning dual nozzle with exchangeable nozzle tip
- Nozzle shutter
- Anti-bacteria on seat; Anti-bacterial material on cover, nozzle and side control panel
- Warm air dryer (only 7SL1 & 7SL2)
- Auto deodorization (only 7SL1)
- One-touch auto cleansing, oscillation & massage

SPECIFICATIONS

- **Rated Voltage:** AC220V 50Hz
- **Rated Power:** 300W
- **Operating Temperature Range:** 0° C-40° C
- **Water Pressure Range:** 0.06MPa (flow pressure) - 0.75MPa (static)
- **Shower Water Consumption:** 0.25~0.6L/min(3/5-mode adjustment) when water pressure is 0.2MPa
- **Bidet Water Consumption:** 0.45~0.6L/min(3/5-mode adjustment) when water pressure is 0.2MPa
- **Hot Water Temperature Range:** About 32°C ~ 40°C (6-mode adjustment)
- **Hot Water Heater Power:** 250W
- **Dryer Temperature:** about 30°C~50°C (4-mode adjustment)

COLOR AVAILABILITY

- White only

OPTIONS

- Full function, CEAS7SL1
- Without deodorization, CEAS7SL2
- Without deodorization & dryer, CEAS7SL3

INCLUDED COMPONENTS

- Water supply hose
- T-valve
- Installation plate

STANDARDS CRITERIA

- China GB/T 23131-2008 & GB4706.53-2008