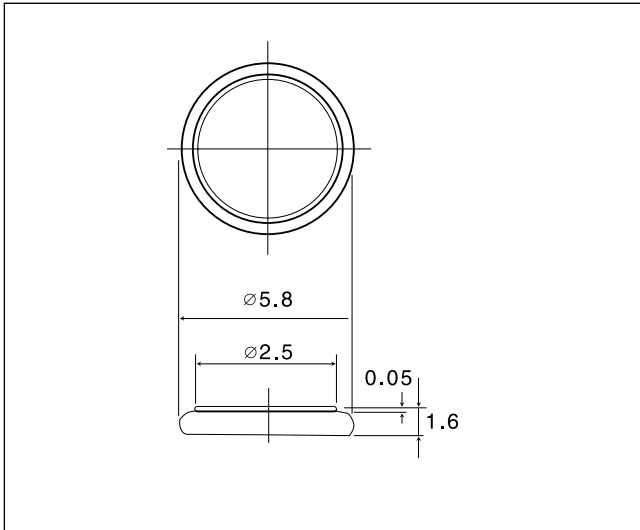


# MT516F

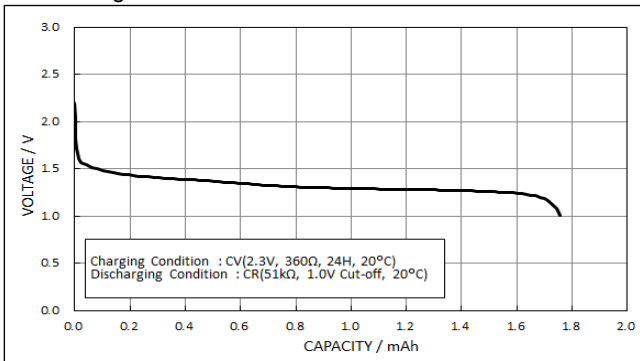
## ■ Dimensions(mm)



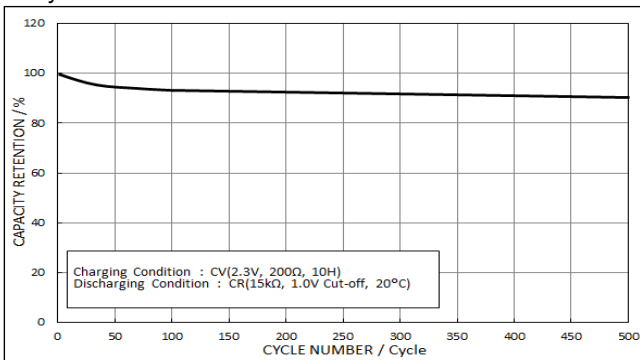
## ■ Specification

<b>Nominal voltage(V)</b>	1.5
<b>Nominal capacity(mAh)</b>	1.8
<b>Continuous drain(mA)</b>	0.025
<b>Operating temperature(°C)</b>	-10 to +60

## ■ Discharge characteristics



## ■ Cycle life characteristics



\* The data in this document are for descriptive purposes only and are not intended to make or imply any guarantee or warranty.